

POLIPI POT H

I - Benna idraulica a polipo a cilindri orizzontali ideale per caricatore ripieghevole a Z

GB - Hydraulic polyp-grab with horizontal cylinders ideal for Z - collapsible truck crane

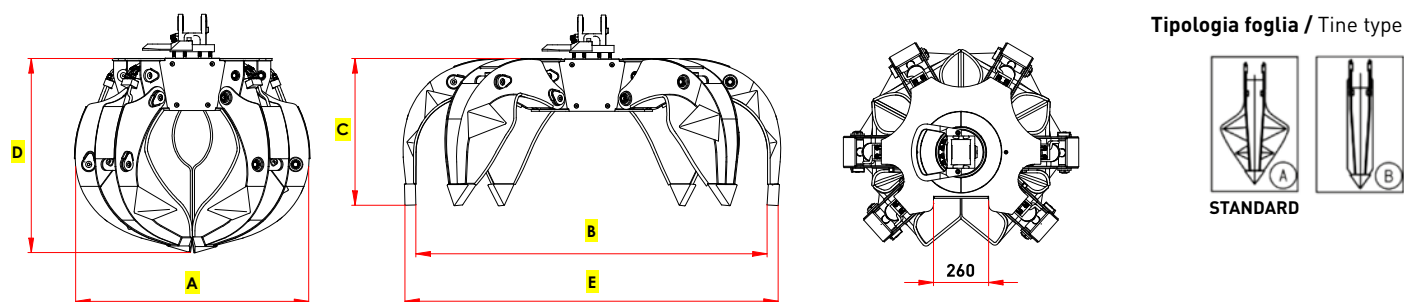
D - Hydraulikmehrschalengreifer mit liegenden Zylindern, ideal für zusammenfaltbare Z- Ladekräne

F - Grappin à ferraille hydraulique avec vérins horizontaux idéal pour grue de camion repliable à Z

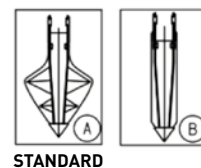
E - Pulpo hidráulico con cilindros horizontales ideal para camión grúa plegable a Z



DISEGNO TECNICO / TECHNICAL DRAWING





Tipologia foglia / Tine type



Portata gru a braccio sfilato / Lifting capacity at the end of boom



Peso escavatore / Excavator weight

| Modello Type | Denti Teeth | Capacità Capacity | Portata Load | Peso Weight | Pressione Pressure | Portata olio Oil flow |  |  | A | B | C | D | E |
|--------------|-------------|-------------------|--------------|-------------|--------------------|-----------------------|---|---|------|------|-----|-----|------|
| | nr. | Lt | kg | kg | Max bar | Lt/min | Ton. | Ton. | mm | mm | mm | mm | mm |
| POT H 280/5 | 5 | 280 | 3000 | 385 | 250 | 60 | 0,8-2,0 | - | 1070 | 1580 | 670 | 870 | 1710 |
| POT H 280/6 | 6 | 280 | 3000 | 425 | 250 | 85 | 0,8-2,0 | - | 1070 | 1580 | 670 | 870 | 1710 |